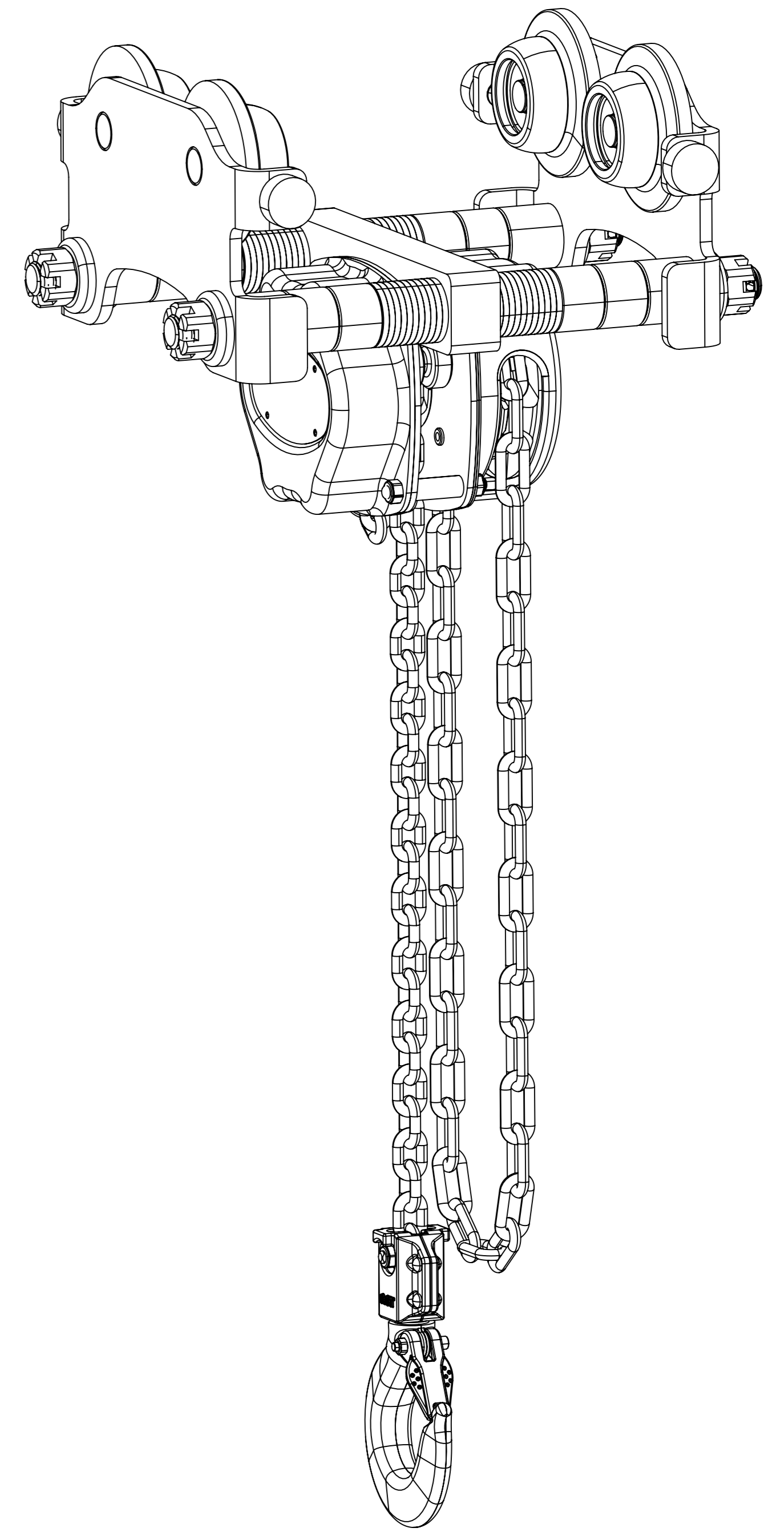
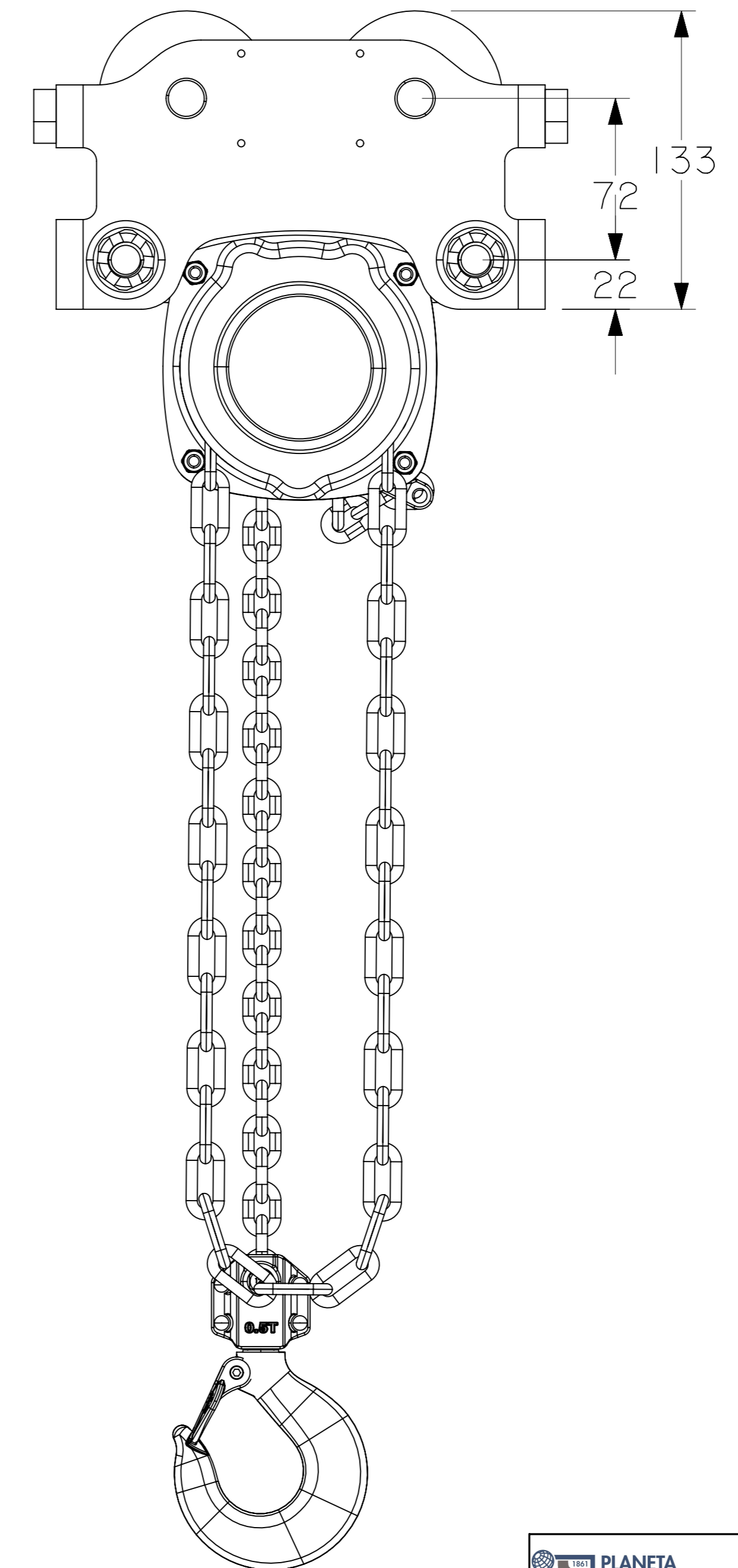
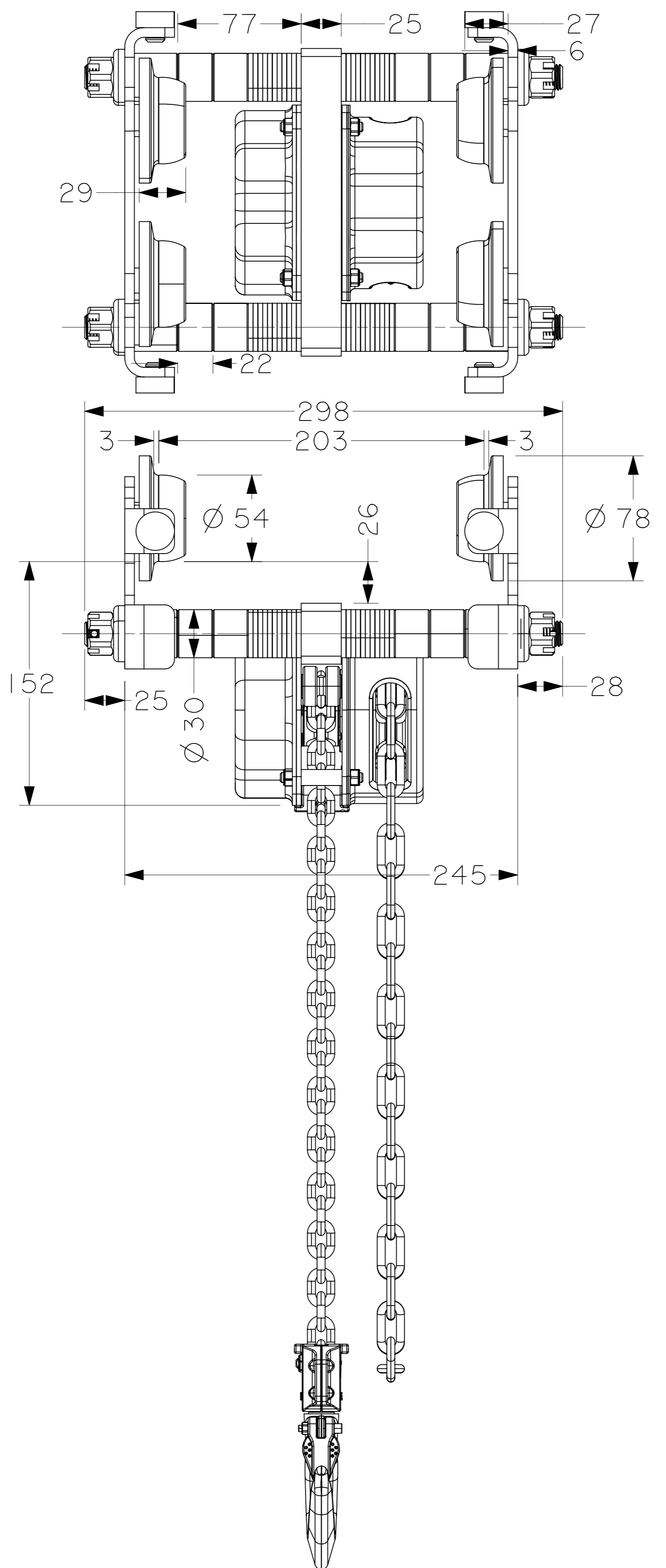
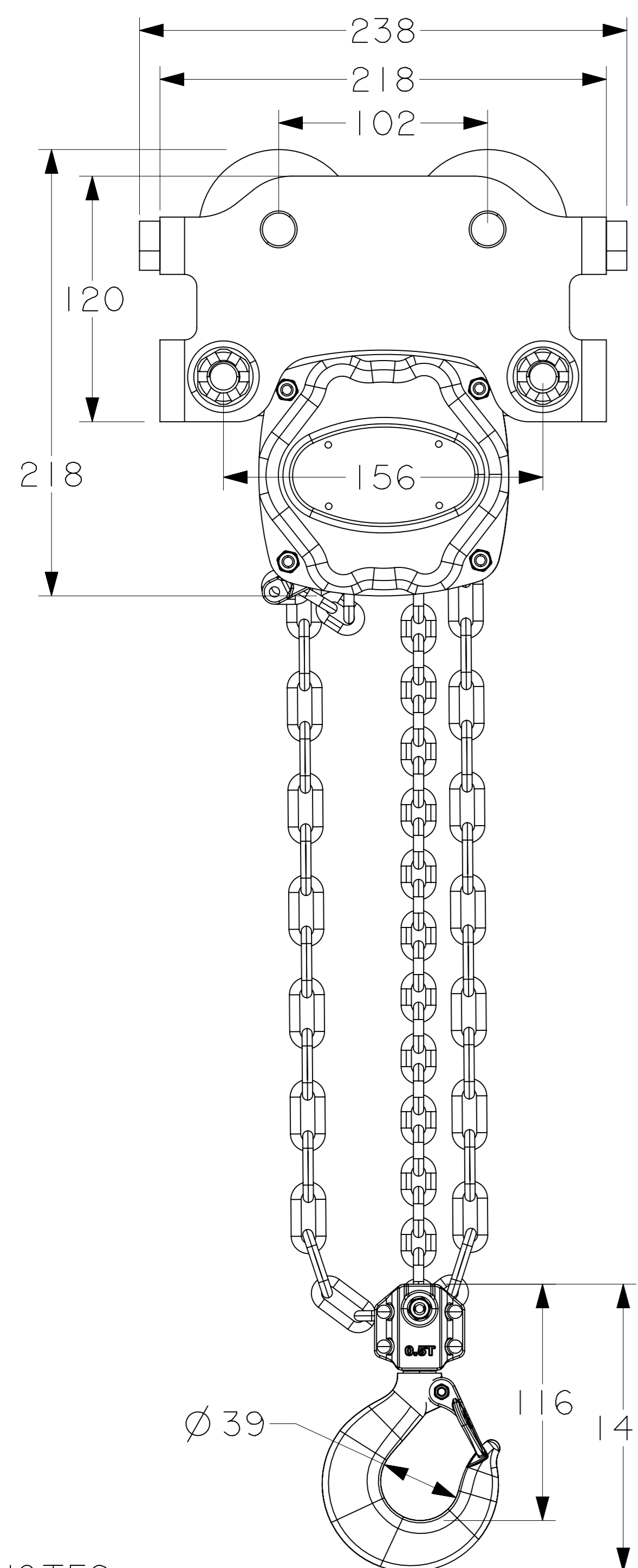


DRAWING NUMBER		4
TOLERANCE FOR METAL		
DIVISION	TOLERANCE	
-3	±0.05	
3-6	±0.05	
6-30	±0.10	
30-120	±0.15	
120-400	±0.20	
400-1000	±0.30	
1000-2000	±0.50	

REVISIONS				
REV	ZONE	DESCRIPTION	ECR	CHECKED



- NOTES
1. LHT-H-005L, RATED CAPACITY 0.5T.
 2. FLANGE WIDTH 50-203mm, MAX. FLANGE WIDTH 305 CAN BE MADE.
 3. HAND CHAIN SPEC. 5X25mm. THE MIN HEADROOM 268mm.
 4. SHAFT DIA.=20mm, THK22mm SLEEVE 8PCS, THK3mm SLEEVE 44PCS.

<p>PLANETA Haben ohne Grenzen</p>	UNLESS OTHERWISE SPECIFIED DIMENSIONS ARE IN MILLIMETERS. FOR ALL UNSPECIFIED DIMENSIONS PLEASE REFER TO THE CAD FILE. DO NOT SCALE. USE DIMENSIONS ONLY. DIMENSION & TOLERANCE PER DIN ISO 2768-F	DRAWN BY JACKY	DATE 19/06/07	PLANETA LIFTING CO.,LTD	
	FIRST ANGLE PROJECTION	CHECKED BY	DATE	TITLE LHT-H-005L 0.5T	
<p>"THIS DRAWING BELONGS TO PLANETA LIFTING CO.,LTD., ITS CONTENTS ARE CONFIDENTIAL AND PROPRIETARY AND SHALL NOT BE DISCLOSED TO OR USED BY OR FOR OUTSIDE PARTIES WITHOUT PLANETA LIFTING CO.,LTD'S WRITTEN CONSENT."</p>	MATERIAL NA	APPROVED BY	DATE	SIZE 4	DRAWING NUMBER 01
	SCALE NA			SHEET 1 OF 1	